

**FEATURES**

- 4¼" deep troffer eliminates lens shadowing
- Lamp-to-lens spacing is over 2"
- Contoured housing maximizes photometric performance with uniform lens brightness
- Mitered corners on door present a clean uninterrupted appearance
- Rolled edge housing on all four sides makes the fixture safer and easier to handle
- Heavy duty door frame enhances appearance from eye level
- Snug door fit eliminates light leaks
- Available with exclusive wiHUBB technology preinstalled
  - Peer to peer, self-healing wireless mesh network
  - Integrated control system for 0-10VDC or step dimming, or On/Off

**PROJECT INFORMATION**

Project Name \_\_\_\_\_

Type \_\_\_\_\_

Catalog No. \_\_\_\_\_

Date \_\_\_\_\_

**HOUSING**

Fixture is constructed of die formed and embossed code gauge steel. End caps are hinged and riveted to the housing for added rigidity. Designed for installation in all ceilings as shown below. Specify exact ceiling type. Integral T-bar clips are located in the end cap.

**BALLAST & ELECTRICAL**

All luminaires are completely wired with class "P," thermally protected, resetting, HPF ballast, sound rated A. Lampholders are medium bi-pin with positive retention. Furnished with an access plate. CEE NEMA Premium compliant.

**FINISH**

All metal parts processed with a multi-stage phosphate bonding treatment and finished with a high reflectance baked white enamel. For a post painted housing finish suffix catalog number with PAF.

**SHIELDING**

Standard lens is a 100% prismatic virgin pattern 12. For other available lenses consult lens option sheet or contact your Columbia representative. Standard flush door is formed steel with mitered corners. Doors are retained by cam action latches, are easily removed without tools, and hinge from either side. Regressed or flush aluminum doors with mitered corners are also available.

**CERTIFICATION**

All luminaires are built to UL 1598 standards and bear appropriate UL and cUL or CSA labels. Damp location labeling is standard. Emergency-equipped fixtures labeled UL 924.

**ORDERING INFORMATION**

**EXAMPLE 4PS24-432G-FSA12-EU-PAF**

4PS	24	-	-	-	-	-
MODEL	NO. OF LAMPS	CEILING TYPE	SHIELDING	VOLTAGE	OPTIONS	
4PS Specification Grade Static Troffer	4 Four 6 Six	G Inverted T-bar (std.) F Overlap Flange (4½" overall fixture height) M Fit-in Flange (4½" overall fixture height)	A12 Acrylic Prismatic Pattern 12 A19 Acrylic Prismatic Pattern 19 PC1 ½" x ½" x ½" Specular Silver Polystyrene Louver PC2 1½" x 1 ½" x 1" Specular Silver Polystyrene Louver <small>For thicker lens, specify - Example: A12.125</small>	U 120V-277V 347 347V	F0735 35K 75 CRI T8 Lamps Installed F0835 35K 80CRI T8 Lamps Installed F5835 35K 80CRI T5 Lamps Installed GLR Fast Blow Fuse EL Emergency Battery Pack PAF Paint After Fabrication SLL Spring Loaded Latches MS9 Master/Satellite Pair w/9' Harness NYC NYC Compliant NYCU NYC Compliant, Union Label WIH wiHUBB Enabled <sup>1</sup>	
	SIZE	LAMP TYPE	DOOR STYLE	BALLAST		
	24 2' x 4'	28 4', T5: 28 Watt 32 4', T8: 32, 30, 28 or 25 Watt 54 4', T5HO: 54 or 51 Watt	FS Flush Steel FA Flush Aluminum RA Regressed Aluminum SFA Silver Flush Aluminum SRA Silver Regressed Aluminum	E Electronic T8, Instant Start ELW 2-Lamp Electronic T8, 0.77 Ballast Factor, Low Wattage, Instant Start 4E 4-Lamp Electronic T8, Instant Start 4ELW 4-Lamp Electronic T8, 0.77 Ballast Factor, Low Wattage, Instant Start EP Electronic T5 or T8, Programmed Start 4EP 4-Lamp Electronic T5 (HO only) or T8, Programmed Start		

For specific ballast vendor, show as option.

<sup>1</sup> Not available with Surface Mount Ceiling Types.



Test 14269 Test Date 3/31/06

### PHOTOMETRIC DATA

#### LUMINAIRE DATA

Luminaire	4PS24-432G-FSA12 4PS Lensed Troffer 2' x 4' 4-Lamp White Troffer with Prismatic A12 Acrylic Lens
Ballast	REL-4P32-5C
Ballast Factor	0.88
Lamp	F32T8
Lumens per Lamp	2900
Total Input Watts	110
Mounting	Recessed
Shielding Angle	0° = 90 90° = 90
Spacing Criterion	0° = 1.22 90° = 1.27
Luminous Opening in Feet	Length: 3.81 Width: 1.81 Height: 0.00

#### ZONAL LUMEN SUMMARY

Zone	Lumens	% Lamp	% Fixt.
0-30	3089	26.6	32.8
0-40	5004	43.1	53.1
0-60	8046	69.4	85.4
0-90	9418	81.2	100.0
0-180	9418	81.2	100.0

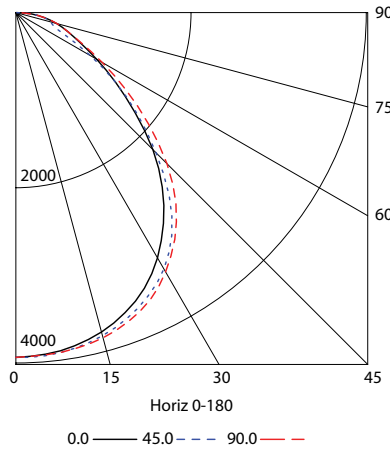
#### ENERGY DATA

Total Luminaire Efficiency	81.2%
Luminaire Efficacy Rating (LER)	75
IESNA RP-1-1993 Compliance	Noncompliant
Comparative Yearly Lighting Energy Cost per 1000 Lumens	\$3.20 based on 3000 hrs. and \$0.08 per KWH

#### COEFFICIENTS OF UTILIZATION (%)

RCR	RC 80				RC 70				RC 50				RC 0			
	RW 70	50	30	10	RW 70	50	30	10	RW 50	30	10	0	RW 10	0	0	0
1	89	85	82	79	87	84	81	78	80	78	76	69				
2	82	76	70	66	80	74	69	65	71	67	64	59				
3	75	67	61	56	73	66	60	56	64	59	55	51				
4	69	60	54	48	67	59	53	48	57	52	47	45				
5	64	54	47	42	62	53	47	42	52	46	42	39				
6	59	49	42	37	58	48	42	37	47	41	37	35				
7	55	45	38	33	54	44	38	33	43	37	33	31				
8	52	41	34	30	50	40	34	30	39	34	30	28				
9	48	38	31	27	47	37	31	27	36	31	27	25				
10	45	35	29	25	44	35	29	25	34	28	24	23				

#### INDOOR CANDELA PLOT



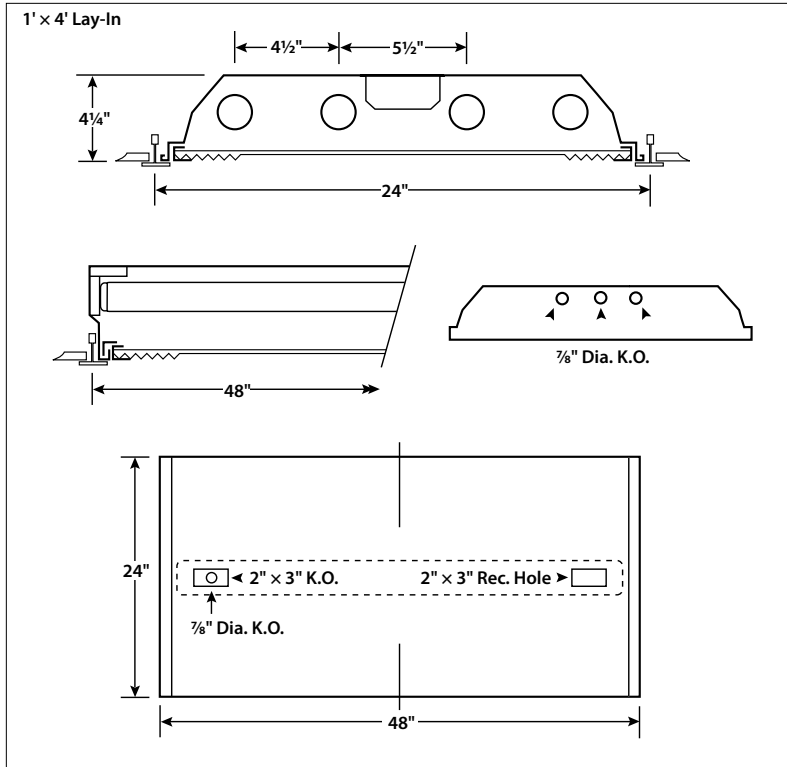
#### AVG. LUMINANCE (Candela/Sq. M.)

Average Luminance Angle	0.0	22.5	45.0	67.5	90.0
0	6142	6142	6142	6142	6142
30	5825	5915	6090	6151	6159
40	5296	5367	5546	5719	5793
45	4883	4865	4995	5238	5384
50	4315	4310	4410	4684	4798
55	3788	3715	3788	4038	4169
60	3322	3034	3053	3265	3553
65	2981	2493	2364	2652	3058
70	2861	2387	2108	2451	2857
75	2913	2545	2479	2539	2925
80	2975	2831	2921	2831	2957
85	3313	3170	3206	3098	3098

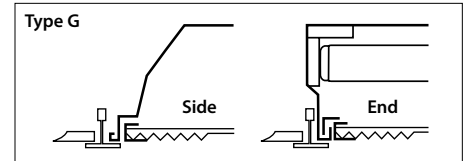
RCR = Room Cavity Ratio

RC = Effective Ceiling Cavity Reflectance RW = Wall Reflectance

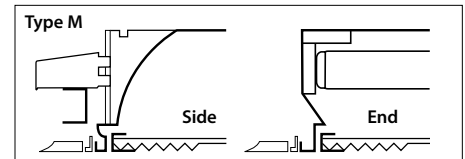
#### DIMENSIONAL DATA



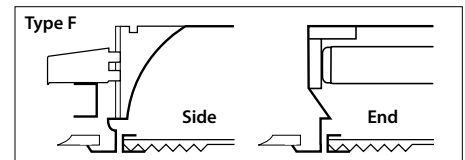
#### CEILING COMPATIBILITY



For lay-in installation in exposed grid ceilings. Maximum tee widths of 1" and maximum tee heights of 1 1/2" allowed.



"Fit-in" style extruded trim aligns with modular tile joint. Fixture is supported from concealed suspension, includes adjustable wing hangers. 4 1/2" overall fixture height.



Overlapping trim conceals edges of ceiling opening. Wing hanger suspension included. 4 1/2" overall fixture height.

Flanged cut out dimension for single unit only: 24 1/8" x 48 1/8"

**NOTE:** All dimensions are in inches; dimensions and specifications are subject to change without notice. Please consult factory or check sample for verification.