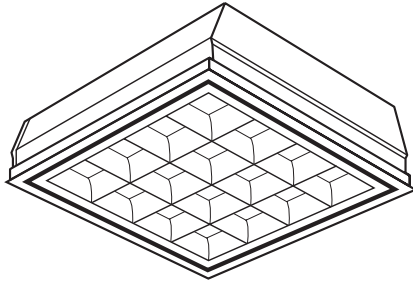


4" Deep Louver



FEATURES

- Four foot by four units offer the designer a bold effective design with maximum light output
- Meets IES standard RP-1 glare control recommendations on most models
- Ideal for today's computer intensive electronic offices
- Wide light distribution provides uniform illumination
- 4" deep low iridescent anodized aluminum louver
- UL listed 1598
- Surface mount available
- Mechanical light trap prevents light leaks
- Black reveal with full air handling capabilities
- Damp label standard
- NEC/CEC-compliant ballast disconnect standard

PROJECT INFORMATION

Project Name _____

Type _____

Catalog No. _____

Date _____

CONSTRUCTION

Luminaire housing and end caps are die formed code gauge cold rolled steel. Anodized aluminum louver is secured in open or closed position by die formed steel hinges. Louver hinges from either side. A mechanical light trap prevents light leaks. Latches are finger-actuated, positive feed type, fabricated of spring steel, and completely concealed in the black reveal.

plate is furnished with each luminaire. A plastic dust cover which eliminates construction dust and protects the lamps is provided as standard.

BALLASTS

Energy efficient, thermally protected, automatic resetting, Class P, high power factor, sound rated A, magnetic or electronic ballasts. CEE NEMA Premium compliant.

FINISH

Painted parts are treated with a five stage phosphate bonding process and finished with a high temperature baked white enamel. For post painted housing, suffix catalog number with PAF. Regressed slots are flat black. Choice of low iridescent silver louver finishes.

ELECTRICAL

Standard class "P", thermally protected, autoresetting HPF ballast, sound rated A. CEE NEMA Premium compliant. All ballast leads extend a minimum of 6" through access location. NEC/CEC-compliant ballast disconnect is standard.

AIR HANDLING

All supply/return and air extract functions are shown on the specification sheet and are available as a specified option. Specify air handling requirement by including function number as part of complete catalog number. Directional control vanes and/or extract dampers must be specified. Air extract slots are located out of sight in end caps. See air removal data on specification sheet.

CEILING COMPATIBILITY

Luminaire is available to fit most standard ceiling types as shown in specification sheet. For information on compatibility with specific ceilings, contact your Columbia representative. luminaires for concealed suspension ceilings are furnished with necessary T-bar clips and/or wing hangers.

INSTALLATION

For fast wiring connections without the necessity of opening fixture or wireway, a flex connector adapter

SURFACE OR PENDANT MOUNT

Attractive surface mount units available to match performance and aesthetics of recessed models.

ORDERING INFORMATION

EXAMPLE 4544-632G-LD66-S-3EU

MODEL	NO. OF LAMPS	CEILING TYPE	NO. CELLS CROSSWISE	NO. CELLS LENGTHWISE	VOLTAGE	OPTIONS
45 Recessed 4" Deep Cell Parabolic	6 Six 8 Eight	G Grid F Overlap Flange M Modular Fit-in Trim SG Slot Grid SM Surface Mount (Static only)	6 Six 8 Eight	6 Six 8 Eight	U 120V-277V 347 347V	GLR Fast Blow Fuse GMF Slow Blow Fuse EL Emergency Battery Pack F0735 35K 75 CRI T8 Lamps Installed F0835 35K 80 CRI T8 Lamps Installed F5835 35K 80 CRI T5 Lamps Installed C388 3-Wire Flex C488 4-Wire Flex MS9 Master/Satellite w/9' Harness PAF Paint After Fabrication NYC NYC Compliant NYCU NYC Compliant, Union Label
SIZE	LAMP TYPE	LOUVER FINISH	AIR FUNCTIONS	BALLAST		
44 4' x 4'	28 4', T5: 28 Watt 32 4', T8: 32, 30, 28 or 25 Watt 54 4', T5HO: 54 or 51 Watt	LD Low Iridescent Semi-Specular (Std.) MA Matte Anodized Low Iridescent Semi-Specular Aluminum LS Low Iridescent Specular	S Static A Air Handling AV Air Handling w/Supply Vanes C Combination Supply/Extract CV Combination Supply Vanes/Extract CD Combination Supply Extract Dampers CVD Combination Supply Vanes Extract Dampers H Heat Extract HD Heat Extract w/Dampers	E Electronic T8, Instant Start 3E 3-Lamp Electronic T8, Instant Start 4E 4-Lamp Electronic T8, Instant Start 24E (1) 2-Lamp and (1) 4-Lamp Electronic T8, Instant Start EP Electronic T5 or T8, Programmed Start 3EP 3-Lamp Electronic T5HO or T8, Programmed Start 4EP 4-Lamp Electronic T5HO (N/A 347V) or T8, Programmed Start		

For a specific ballast vendor show as option.

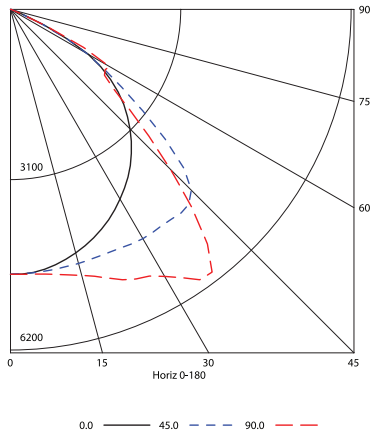
PHOTOMETRIC DATA

Test 13236 Test Date 6/11/03

LUMINAIRE DATA

Luminaire	4544-632G-LS66-E-PAF 45 Parabolic 4' x 4' 6-Lamp with 6 x 6 Cell Specular Louver (3)QT2X32T82771
Ballast	
Ballast Factor	0.77
Lamp	F32T8
Lumens per Lamp	2900
Watts	149
Shielding Angle	N/A
Spacing Criterion	Along = 1.24 Across = 1.71
Luminous Opening in Feet	Length: 3.89 Width: 3.89 Height: 0.00

INDOOR CANDELA PLOT



ENERGY DATA

Total Luminaire Efficiency	75.7%
Luminaire Efficacy Rating (LER)	68
IESNA RP-1-1993 Compliance	Noncompliant
Comparative Yearly Lighting Energy Cost per 1000 Lumens	\$3.53 based on 3000 hrs. and \$0.08 per KWH

AVG. LUMINANCE (Candela/Sq. M.)

	0.0	22.5	45.0	67.5	90.0
0	3429	3429	3429	3429	3429
30	3274	3476	3956	4373	4607
40	3177	3613	4487	5155	5175
45	3092	3712	4680	4333	4142
50	2979	3812	4076	3259	3116
55	2753	3763	3071	2583	2588
60	2318	2935	2281	2411	2955
65	1138	1081	1084	1264	1178
70	185	227	193	202	181
75	88	88	88	88	88
80	49	49	49	49	49
85	33	33	33	33	33

ZONAL LUMEN SUMMARY

Zone	Lumens	Lamp	Fixt.
0-30	4039	23.2	30.6
0-40	7053	40.5	53.5
0-60	12355	71.0	93.7
0-90	13180	75.7	100.0
0-180	13180	75.7	100.0

COEFFICIENTS OF UTILIZATION (%)

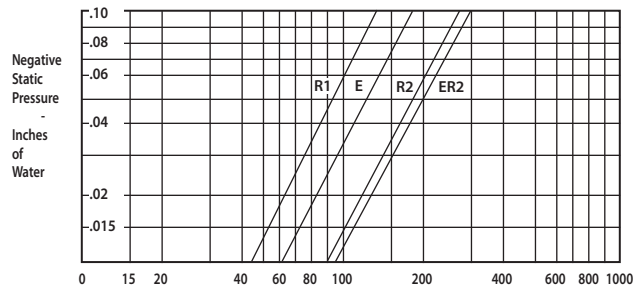
RC	80				70				50				0
	RW	70	50	30	10	70	50	30	10	50	30	10	0
1	84	81	79	76	82	80	77	75	76	75	73	67	
2	78	72	68	65	76	71	67	64	69	65	62	58	
3	72	65	59	55	70	63	59	55	61	57	54	50	
4	66	58	52	47	64	57	51	47	55	50	46	44	
5	61	52	46	41	59	51	45	41	49	44	40	38	
6	56	47	40	36	55	46	40	36	45	39	36	33	
7	52	42	36	32	51	42	36	32	41	35	31	30	
8	48	39	33	28	47	38	32	28	37	32	28	26	
9	45	35	29	25	44	35	29	25	34	29	25	24	
10	42	33	27	23	41	32	27	23	31	26	23	21	

RCR = Room Cavity Ratio

RC = Effective Ceiling Cavity Reflectance RW = Wall Reflectance

EXTRACT AIR DATA

Report AL-562-1.7



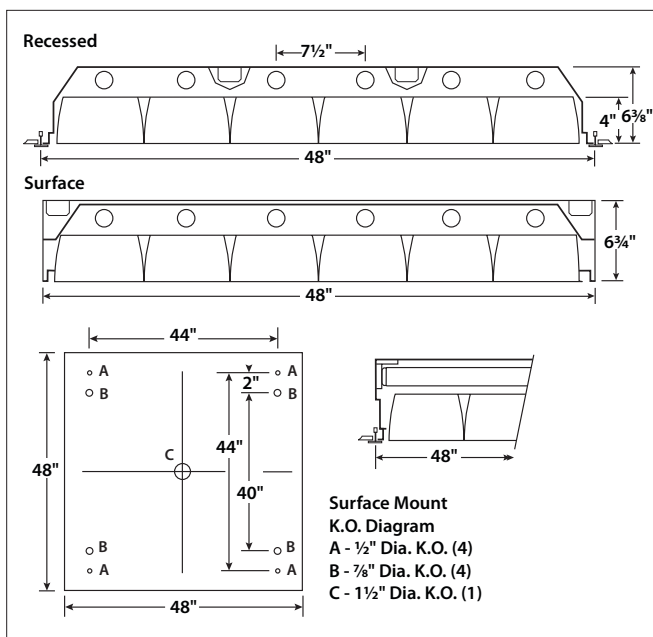
R1 - Air Return thru One Side Passage

R2 - Air Return thru Two Side Passages

E - Heat Extract thru Lamp Compartment 4 or 8 Lamps

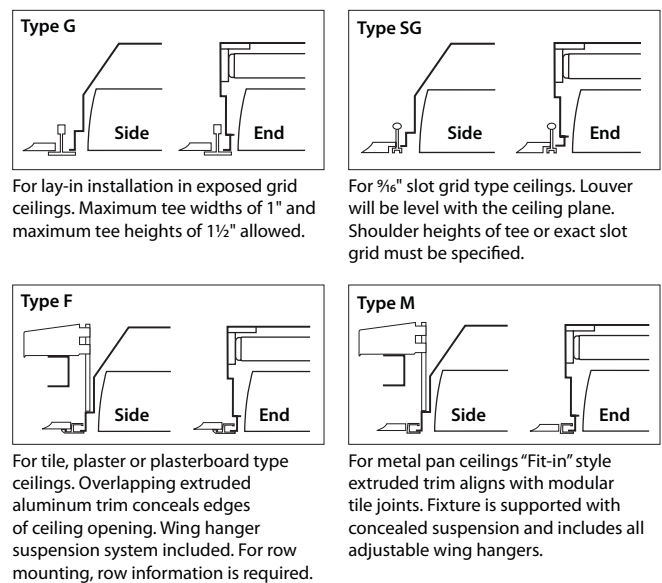
ER2 - Heat Extract thru Lamp Compartment 6 Lamps

DIMENSIONAL DATA



NOTE: All dimensions are in inches; dimensions and specifications are subject to change without notice. Please consult factory or check sample for verification.

CEILING COMPATIBILITY



For lay-in installation in exposed grid ceilings. Maximum tee widths of 1" and maximum tee heights of 1 1/2" allowed.

For 1/8" slot grid type ceilings. Louver will be level with the ceiling plane. Shoulder heights of tee or exact slot grid must be specified.

For tile, plaster or plasterboard type ceilings. Overlapping extruded aluminum trim conceals edges of ceiling opening. Wing hanger suspension system included. For row mounting, row information is required.

For metal pan ceilings "Fit-in" style extruded trim aligns with modular tile joints. Fixture is supported with concealed suspension and includes all adjustable wing hangers.