



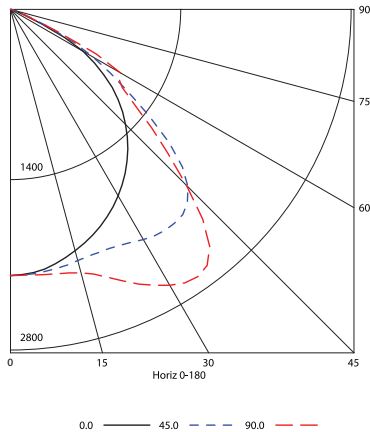
### PHOTOMETRIC DATA

Test 11283 Test Date 6/11/03

#### LUMINAIRE DATA

Luminaire	4533-430G-LD44-E
	45 Parabolic
	3' x 3' 4-Lamp with 4 x 4 Cell Semi-Specular Louver
Ballast	(2) R-2SP30-TP
Ballast Factor	0.95
Lamp	F30T12
Lumens per Lamp	2350
Watts	145
Shielding Angle	N/A
Spacing Criterion	0° = 1.22 90° = 1.72
Luminous Opening in Feet	Length: 2.74 Width: 2.74 Height: 0.00

#### INDOOR CANDELA PLOT



#### ENERGY DATA

Total Luminaire Efficiency	64.8%
Luminaire Efficiency Rating (LER)	40
IESNA RP-1-1993 Compliance	Noncompliant
Comparative Yearly Lighting Energy Cost per 1000 Lumens	\$6.00 based on 3000 hrs. and \$0.08 per KWH

#### AVG. LUMINANCE (Candela/Sq. M.)

	0.0	22.5	45.0	67.5	90.0
0	3136	3136	3136	3136	3136
30	2927	3096	3616	4109	4333
40	2806	3242	4121	4587	4765
45	2711	3354	4181	4167	4142
50	2576	3419	3792	3337	3377
55	2340	3280	2945	2732	2805
60	1973	2538	2262	2498	3008
65	960	1065	1238	1384	1333
70	277	331	344	356	327
75	155	177	188	188	177
80	99	116	124	124	107
85	82	82	82	82	82

#### ZONAL LUMEN SUMMARY

Zone	Lumens	Lamp	Fixt.
0-30	1819	19.3	29.9
0-40	3178	33.8	52.2
0-60	5644	60.0	92.7
0-90	6087	64.8	100.0
0-180	6087	64.8	100.0

#### COEFFICIENTS OF UTILIZATION %

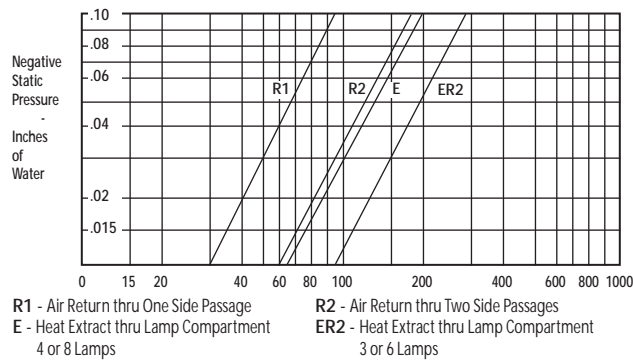
RCR	80				70				50				0						
	RW	70	50	30	10	70	50	30	10	50	30	10	0	70	50	30	10	0	
1	72	69	67	65	70	68	66	64	65	64	62	57							
2	66	62	58	55	65	61	57	54	58	55	53	49							
3	61	55	50	47	59	54	50	46	52	48	45	43							
4	56	49	44	40	55	48	43	40	47	42	39	37							
5	52	44	39	35	50	43	38	34	42	37	34	32							
6	48	40	34	30	46	39	34	30	38	33	30	28							
7	44	36	30	27	43	35	30	27	34	30	26	25							
8	41	33	27	24	40	32	27	24	31	27	24	22							
9	38	30	25	21	37	30	25	21	29	24	21	20							
10	36	27	23	19	35	27	22	19	27	22	19	18							

RCR= Room Cavity Ratio

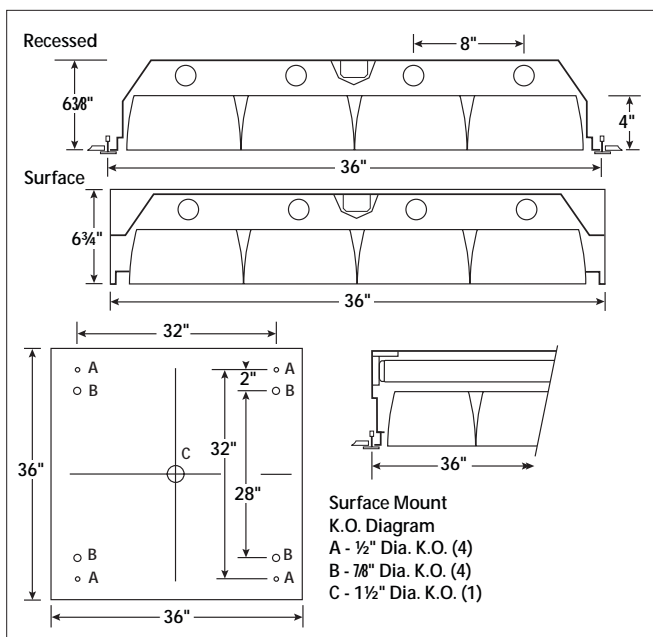
RC= Effective Ceiling Cavity Reflectance

#### EXTRACT AIR DATA

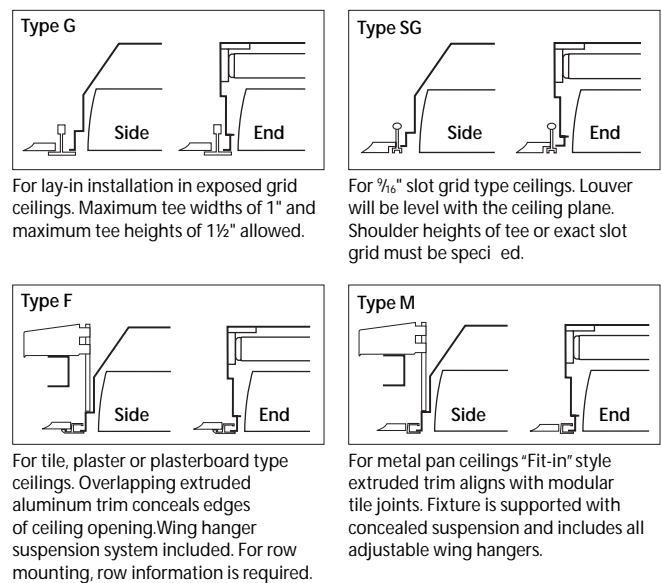
Report AL-562-1.6



#### DIMENSIONAL DATA



#### CEILING COMPATIBILITY



NOTE: All dimensions are in inches; dimensions and specifications are subject to change without notice. Please consult factory or check sample for verification.