

Also available with 12, 16, 18, 24, or 32 cells

FEATURES

- Meets IES standard RP-1 glare control recommendations on most models
- Ideal for today's computer intensive electronic offices
- Wide light distribution provides uniform illumination
- 4" deep low iridescent anodized aluminum louver
- UL listed 1598
- Mechanical light trap prevents light leaks
- Black reveal with full air handling capabilities
- Damp label standard
- NEC/CEC-compliant ballast disconnect standard

PROJECT INFORMATION

Project Name _____

Type _____

Catalog No. _____

Date _____

CONSTRUCTION

Luminaire housing is constructed of die formed code gauge cold rolled steel. Anodized aluminum louver is secured by die formed steel hinges. Louver can be hinged or latched from either side. A mechanical light trap prevents light leaks. Latches are positive acting finger-tip actuated and fabricated of spring steel. Surface mount luminaires are designed for compatibility with comparable recessed models. These luminaires require only minimal maintenance and match the performance of recessed parabolics. Fixture mounts easily and snugly to surface. No extraordinary hardware required for mounting.

FINISH

Painted parts are treated with a five stage phosphate bonding process and finished with a high temperature baked white enamel. For post painted housing, suffix catalog number with PAF. Regressed slots are flat black. Choice of low iridescent silver louver finishes.

INSTALLATION

A plastic dust cover which eliminates construction dust and protects the lamps is provided as standard.

BALLASTS

Energy efficient, thermally protected, automatic resetting, Class P, high power factor, sound rated A, magnetic or electronic ballasts. CEE NEMA Premium compliant.

ELECTRICAL

Standard class "P", thermally protected, autoresetting HPF ballast, sound rated A. CEE NEMA Premium compliant. All ballast leads extend a minimum of 6" through access location. NEC/CEC-compliant ballast disconnect is standard.

ORDERING INFORMATION

EXAMPLE 4524-332SM-LD36-S-3EU

MODEL	NO. OF LAMPS	CEILING TYPE	NO. CELLS CROSSWISE	NO. CELLS LENGTHWISE	VOLTAGE	OPTIONS
45 Recessed 4" Deep Cell Parabolic	2 Two 3 Three 4 Four	SM Surface Mount (Static only)	2 Two 3 Three 4 Four	6 Six 8 Eight	U 120V-277V 347 347V	GLR Fast Blow Fuse GMF Slow Blow Fuse EL Emergency Battery Pack F0735 35K 75 CRI T8 Lamps Installed F0835 35K 80 CRI T8 Lamps Installed F5835 35K 80 CRI T5 Lamps Installed C388 3-Wire Flex C488 4-Wire Flex MS9 Master/Satellite w/9' Harness PAF Paint After Fabrication NYC NYC Compliant NYCU NYC Compliant, Union Label
SIZE	LAMP TYPE	LOUVER FINISH	AIR FUNCTIONS	BALLAST		
24 2' x 4'	28 4', T5: 28 Watt 32 4', T8: 32, 30, 28 or 25 Watt 54 4', T5HO: 54 or 51 Watt	LD Low Iridescent Semi-Specular (Std.) MA Matte Anodized Low Iridescent Semi-Specular Aluminum LS Low Iridescent Specular	S Static	E Electronic T8, Instant Start 3E 3-Lamp Electronic T8, Instant Start 4E 4-Lamp Electronic T8, Instant Start EP Electronic T5 or T8, Programmed Start 3EP 3-Lamp Electronic T5HO or T8, Programmed Start 4EP 4-Lamp Electronic T5HO (N/A 347V) or T8, Programmed Start		

For a specific ballast vendor show as option.

PHOTOMETRIC DATA

Test 10686 Test Date 6/10/03

LUMINAIRE DATA

Luminaire	4524-332G-LD36-3E-PAF 45 Parabolic 2' x 4' 3-Lamp with 3 x 6 Cell Semi-Specular Louver
Ballast	B332I120RH
Ballast Factor	0.95
Lamp	FO32/741
Lumens per Lamp	2850
Watts	87
Shielding Angle	N/A
Spacing Criterion	Along = 1.24 Across = 1.45

ZONAL LUMEN SUMMARY

Zone	Lumens	Lamp	Fixt.
0-30	2033	23.8	34.1
0-40	3397	39.7	56.9
0-60	5615	65.7	94.1
0-90	5966	69.8	100.0
0-180	5966	69.8	100.0

ENERGY DATA

Total Luminaire Efficiency	69.8%
Luminaire Efficacy Rating (LER)	65
IESNA RP-1-1993 Compliance	Noncompliant
Comparative Yearly Lighting Energy Cost per 1000 Lumens	\$3.69 based on 3000 hrs. and \$0.08 per KWH

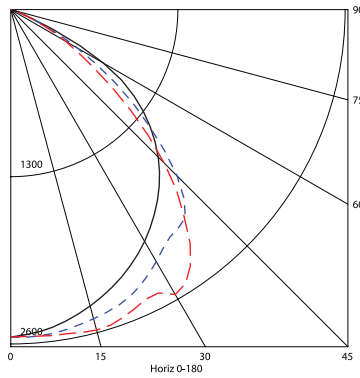
COEFFICIENTS OF UTILIZATION (%)

RCR	RW	80				70				50				0					
		70	50	30	10	70	50	30	10	50	30	10	0	70	50	30	10	0	
1	78	75	73	71	76	73	71	69	71	69	67	62							
2	72	67	63	60	70	66	62	59	64	61	58	54							
3	66	60	55	51	65	59	55	51	57	53	50	47							
4	61	54	49	45	60	53	48	44	51	47	44	41							
5	57	49	43	39	55	48	43	39	46	42	38	36							
6	52	44	38	34	51	43	38	34	42	37	34	32							
7	49	40	35	31	48	40	34	30	39	34	30	29							
8	45	37	31	27	44	36	31	27	35	31	27	26							
9	43	34	28	25	42	33	28	25	33	28	25	23							
10	40	31	26	22	39	31	26	22	30	26	22	21							

RCR = Room Cavity Ratio

RC = Effective Ceiling Cavity Reflectance RW = Wall Reflectance

INDOOR CANDELA PLOT

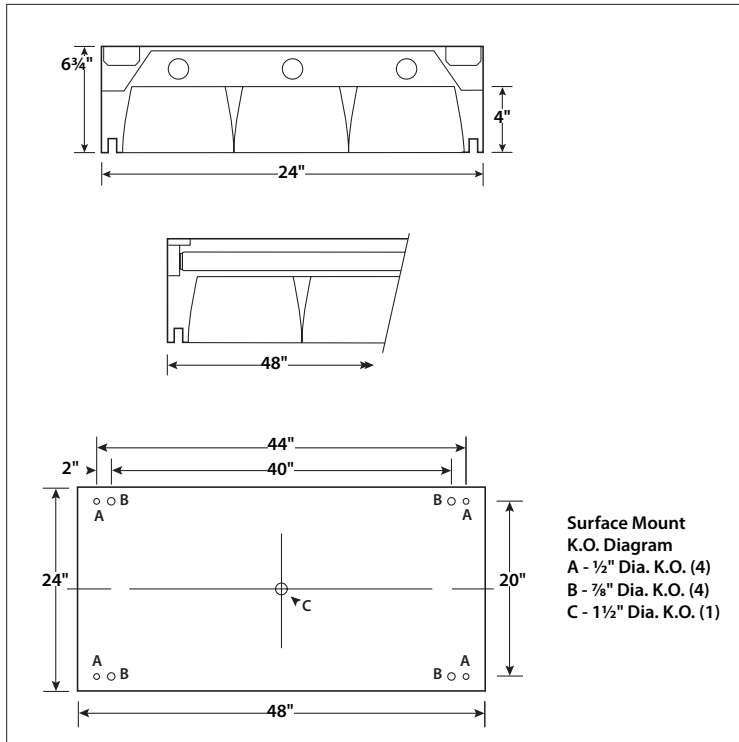


0.0 ——— 45.0 - - - 90.0 - - -

AVG. LUMINANCE (Candela/Sq. M.)

Average Luminance Angle	0.0	22.5	45.0	67.5	90.0
0	4245	4245	4245	4245	4245
30	4006	4164	4355	4634	4925
40	3906	4118	4599	4538	4558
45	3822	4043	4310	3987	3982
50	3672	3952	3641	3220	3153
55	3400	3699	2873	2361	2286
60	2772	2602	1992	1661	1631
65	1425	1125	1022	951	951
70	419	424	410	419	419
75	219	232	238	251	264
80	125	144	154	173	192
85	57	77	77	96	134

DIMENSIONAL DATA



NOTE: All dimensions are in inches; dimensions and specifications are subject to change without notice. Please consult factory or check sample for verification.