

Also available with 2 or 3 lamps and 9 or 16 cells

FEATURES

- Meets IES standard RP-1 glare control recommendations on most models
- Ideal for today's computer intensive electronic offices
- Wide light distribution provides uniform illumination
- 4" deep low iridescent anodized aluminum louver
- UL listed 1598
- Mechanical light trap prevents light leaks
- Black reveal with full air handling capabilities
- Damp label standard
- NEC/CEC-compliant ballast disconnect standard

PROJECT INFORMATION

Project Name _____

Type _____

Catalog No. _____

Date _____

CONSTRUCTION

Luminaire housing is constructed of die formed code gauge cold rolled steel. Anodized aluminum louver is secured by die formed steel hinges. Louver can be hinged or latched from either side. A mechanical light trap prevents light leaks. Latches are positive acting finger-tip actuated and fabricated of spring steel. Surface mount luminaires are designed for compatibility with comparable recessed models. These luminaires require only minimal maintenance and match the performance of recessed parabolics. Fixture mounts easily and snugly to surface. No extraordinary hardware required for mounting.

BALLASTS

Energy efficient, thermally protected, automatic resetting, Class P, high power factor, sound rated A, magnetic or electronic ballasts. CEE NEMA Premium compliant.

ELECTRICAL

Standard class "P", thermally protected, autoresetting HPF ballast, sound rated A. CEE NEMA Premium compliant. All ballast leads extend a minimum of 6" through access location. NEC/CEC-compliant ballast disconnect is standard.

FINISH

Painted parts are treated with a five stage phosphate bonding process and finished with a high temperature baked white enamel. For post painted housing, suffix catalog number with PAF. Regressed slots are flat black. Choice of low iridescent silver louver finishes.

INSTALLATION

A plastic dust cover which eliminates construction dust and protects the lamps is provided as standard.

ORDERING INFORMATION

EXAMPLE 4522-317SM-LD33-3EU

MODEL	NO. OF LAMPS	CEILING TYPE	NO. CELLS CROSSWISE	VOLTAGE	OPTIONS
45 Recessed 4" Deep Cell Parabolic	2 Two 3 Three	SM Surface Mount (Static only)	3 Three 4 Four	U 120V-277V 347 347V	GLR Fast Blow Fuse GMF Slow Blow Fuse EL Emergency Battery Pack C388 3-Wire Flex C488 4-Wire Flex MS9 Master/Satellite w/9' Harness NYC NYC Compliant NYCU NYC Compliant, Union Label
SIZE	LAMP TYPE	LOUVER FINISH	NO. CELLS LENGTHWISE	BALLAST	
22 2' x 2'	32U6 U-Bent, 6" Leg Spacing T8: 32 Watt* 31U1 U-Bent, 1 1/2" Leg Spacing T8: 31 Watt 40TT Twin Tube Compact, 2G11 Base: 40 Watt 17 2', T8: 17 Watt	LD Low Iridescent Semi-Specular (Std.) MA Matte Anodized Low Iridescent Semi-Specular Aluminum LS Low Iridescent Specular	3 Three 4 Four	E Electronic T8, Instant Start 3E 3-Lamp Electronic T8, Instant Start ETT Electronic Twin Tube, Instant Start (Specify voltage) 3ETT 3-Lamp Electronic Twin Tube, Instant Start (Specify voltage)	
	*2 lamps only.				For a specific ballast vendor show as option.



PHOTOMETRIC DATA

Test 10883 Test Date 6/10/03

LUMINAIRE DATA

Luminaire	4522-232U6G-LD33-E-PAF 45 Parabolic 2' x 2' 2-Lamp with 3 x 3 Cell Semi-Specular Louver
Ballast	B2321120RH
Ballast Factor	0.95
Lamp	FB31T8/TL741/6
Lumens per Lamp	2650
Watts	60
Shielding Angle	N/A
Spacing Criterion	Along = 1.22 Across = 1.32

ZONAL LUMEN SUMMARY

Zone	Lumens	Lamp	Fixt.
0-30	1163	22.0	32.8
0-40	1910	36.0	53.8
0-60	3282	61.9	92.4
0-90	3551	67.0	100.0
0-180	3551	67.0	100.0

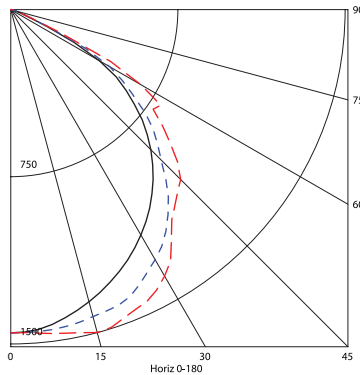
ENERGY DATA

Total Luminaire Efficiency	67.0%
Luminaire Efficacy Rating (LER)	56
IESNA RP-1-1993 Compliance	Noncompliant
Comparative Yearly Lighting Energy Cost per 1000 Lumens	\$4.29 based on 3000 hrs. and \$0.08 per KWH

COEFFICIENTS OF UTILIZATION (%)

RCR	RC 80				RC 70				RC 50				RC 0
	RW 70	50	30	10	70	50	30	10	50	30	10	0	
1	74	72	70	67	73	70	68	66	68	66	64	59	
2	69	64	60	57	67	63	59	56	60	58	55	51	
3	63	57	52	48	62	56	52	48	54	50	47	44	
4	58	51	46	42	57	50	45	41	49	44	41	39	
5	54	46	40	36	52	45	40	36	44	39	36	34	
6	50	41	36	32	48	41	36	32	40	35	32	30	
7	46	38	32	28	45	37	32	28	36	31	28	26	
8	43	34	29	25	42	34	29	25	33	28	25	24	
9	40	32	26	23	39	31	26	23	30	26	23	21	
10	38	29	24	21	37	29	24	21	28	24	21	19	

INDOOR CANDELA PLOT



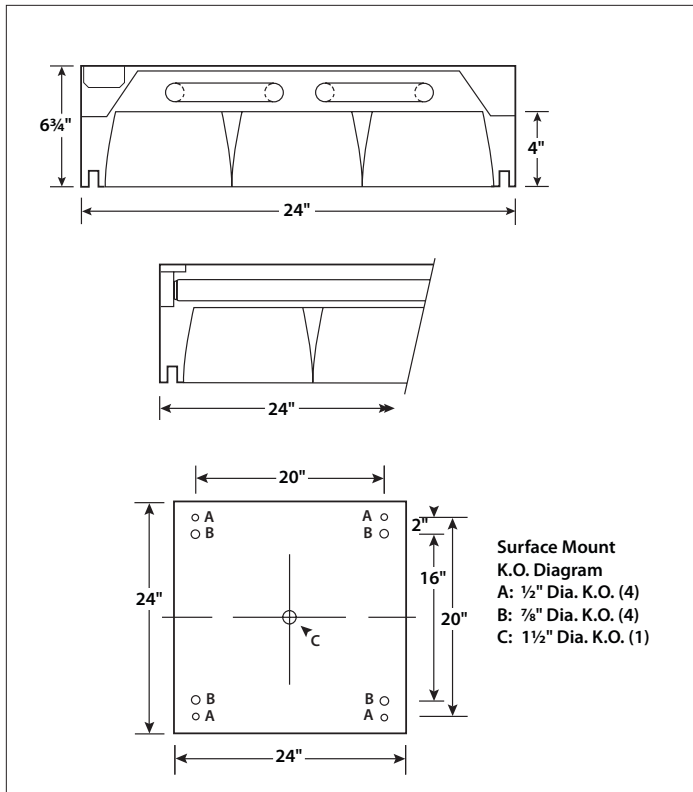
AVG. LUMINANCE (Candela/Sq. M.)

Average Luminance Angle	0.0	22.5	45.0	67.5	90.0
0	5211	5211	5211	5211	5211
30	4846	5112	5378	5594	5731
40	4662	5019	5160	5127	5376
45	4517	4867	4852	5127	5478
50	4308	4588	4661	4935	5231
55	3957	4138	4214	4527	4885
60	3309	3302	3690	4352	4848
65	1515	1566	1685	1974	2076
70	484	515	547	557	578
75	264	278	292	292	306
80	166	186	186	186	186
85	124	124	124	124	165

RCR = Room Cavity Ratio

RC = Effective Ceiling Cavity Reflectance RW = Wall Reflectance

DIMENSIONAL DATA



NOTE: All dimensions are in inches; dimensions and specifications are subject to change without notice. Please consult factory or check sample for verification.