

PHOTOMETRIC DATA

LUMINAIRE DATA

Luminaire	4522-231U1G-LD33-E 45 Parabolic 2' x 2' 2-Lamp with 3 x 3 Cell Semi-Specular Louver
Ballast	B2321120RH
Ballast Factor	0.95
Lamp	FBO31/735
Lumens per Lamp	2750
Total Input Watts	57
Shielding Angle	N/A
Spacing Criterion	Along = 1.22 Across = 1.64

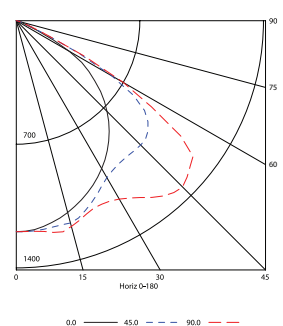
AVG. LUMINANCE (Candela/Sq. M.)

	0.0	22.5	45.0	67.5	90.0
0	4294	4294	4294	4294	4294
30	4016	4186	4261	4635	4842
40	3840	3981	4657	5606	6080
45	3693	3896	5066	6215	6770
50	3486	3911	5444	6552	7184
55	3148	3944	5555	6578	7117
60	2496	3589	4481	4546	5049
65	1132	1719	1608	1702	1693
70	410	526	557	568	578
75	236	292	320	320	320
80	145	186	207	207	207
85	83	124	165	165	165

COEFFICIENTS OF UTILIZATION (%)

RC	80				70				50				0			
	RW	70	50	30	10	70	50	30	10	50	30	10	0	30	10	0
1	68	65	63	61	66	64	62	60	61	60	58	54				
2	62	58	54	51	61	57	53	50	55	52	49	46				
3	57	51	47	43	56	50	46	43	48	45	42	39				
4	52	45	40	37	51	45	40	36	43	39	36	34				
5	48	41	35	32	47	40	35	31	39	34	31	29				
6	44	36	31	27	43	36	31	27	35	30	27	25				
7	41	33	28	24	40	32	27	24	32	27	24	22				
8	38	30	25	21	37	30	25	21	29	24	21	20				
9	35	27	22	19	35	27	22	19	26	22	19	18				
10	33	25	20	17	32	25	20	17	24	20	17	16				

INDOOR CANDELA PLOT



ZONAL LUMEN SUMMARY

Zone	Lumens	% Lamp	% Fixt.
0-30	948	17.2	28.2
0-40	1598	29.1	47.5
0-60	3095	56.3	92.1
0-90	3362	61.1	100.0
0-180	3362	61.1	100.0

RCR = Room Cavity Ratio

RC = Effective Ceiling Cavity Reflectance RW = Wall Reflectance

ENERGY DATA

Total Luminaire Efficiency	61.1%
Luminaire Efficacy Rating (LER)	56
IESNA RP-1-1993 Compliance	Noncompliant
Comparative Yearly Lighting Energy Cost per 1000 Lumens	\$4.29 based on 3000 hrs. and \$0.08 per KWH

LUMINAIRE DATA

Luminaire	4522-240TTG-LD33-ETT-PAF 45 Parabolic 2' x 2' 2-Lamp with 3 x 3 Cell Semi-Specular Louver
Ballast	B2321120RH
Ballast Factor	0.90
Lamp	F40BX
Lumens per Lamp	3150
Total Input Watts	67
Shielding Angle	N/A
Spacing Criterion	Along = 1.22 Across = 1.49

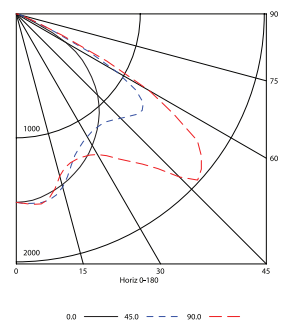
AVG. LUMINANCE (Candela/Sq. M.)

	0.0	22.5	45.0	67.5	90.0
0	5463	5463	5463	5463	5463
30	5087	4913	4747	5170	5432
40	4883	4474	5324	6681	7418
45	4720	4450	6053	8077	9455
50	4437	4521	7061	9797	10894
55	4076	4753	7844	9869	11180
60	3330	4791	6747	7732	8927
65	1549	2459	2902	3234	3455
70	536	726	925	967	1020
75	320	403	486	500	528
80	207	269	290	311	331
85	124	165	206	206	248

COEFFICIENTS OF UTILIZATION (%)

RC	80				70				50				0			
	RW	70	50	30	10	70	50	30	10	50	30	10	0	30	10	0
1	76	73	70	68	74	71	69	67	69	67	65	60				
2	69	64	60	56	68	63	59	56	61	57	54	51				
3	63	57	51	47	62	55	51	47	53	49	46	43				
4	58	50	44	40	56	49	44	40	47	43	39	37				
5	53	44	38	34	52	44	38	34	42	37	33	31				
6	49	40	34	29	47	39	33	29	38	33	29	27				
7	45	36	30	26	44	35	30	26	34	29	25	24				
8	42	33	27	23	41	32	27	23	31	26	23	21				
9	39	30	24	20	38	29	24	20	29	24	20	19				
10	36	27	22	18	36	27	22	18	26	21	18	17				

INDOOR CANDELA PLOT



ZONAL LUMEN SUMMARY

Zone	Lumens	Lamp	Fixt.
0-30	1127	17.9	26.1
0-40	1879	29.8	43.5
0-60	3890	61.7	90.0
0-90	4323	68.6	100.0
0-180	4323	68.6	100.0

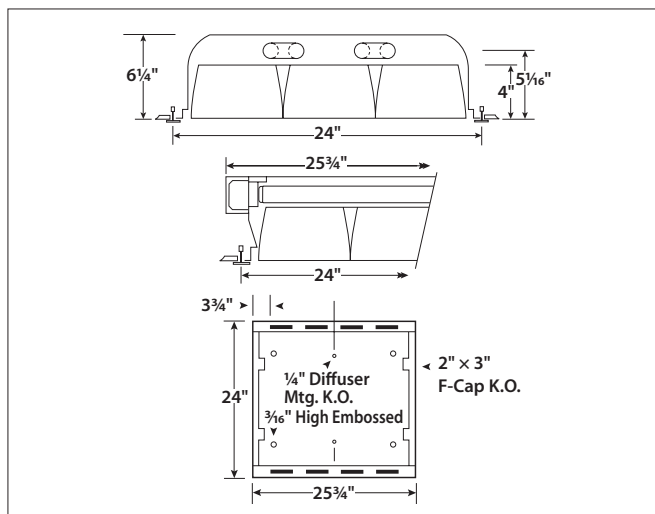
RCR = Room Cavity Ratio

RC = Effective Ceiling Cavity Reflectance RW = Wall Reflectance

ENERGY DATA

Total Luminaire Efficiency	68.6%
Luminaire Efficacy Rating (LER)	58
IESNA RP-1-1993 Compliance	Noncompliant
Comparative Yearly Lighting Energy Cost per 1000 Lumens	\$4.14 based on 3000 hrs. and \$0.08 per KWH

DIMENSIONAL DATA



NOTE: All dimensions are in inches; dimensions and specifications are subject to change without notice. Please consult factory or check sample for verification.

Page 2/2 Rev. 02/02/11

CEILING COMPATIBILITY

Type G

For lay-in installation in exposed grid ceilings. Maximum tee widths of 1" and maximum tee heights of 1 1/2" allowed.

Type SG

For 3/8" slot grid type ceilings. Louver will be level with the ceiling plane. Shoulder heights of tee or exact slot grid must be specified.

Type F

For tile, plaster or plasterboard type ceilings. Overlapping extruded aluminum trim conceals edges of ceiling opening. Wing hanger suspension system included. For row mounting, row information is required.

Type M

For metal pan ceilings "Fit-in" style extruded trim aligns with modular tile joints. Fixture is supported from concealed suspension and includes all adjustable wing hangers.

Flange kit rough in dimensions for single unit only: 24 1/8" x 24 1/8"

PARABOLICS / 4522-2