

Zero Plenum® Troffer High Efficiency Architectural Luminaire



createchange

FEATURES

- Soft, uniform light distribution provides excellent vertical illumination free from harsh contrast
- Employs T5 or T5HO technology for high efficiency and high performance
- Housing depth of only 1½" for a luminaire no taller than standard T-Bar rails
- Unique telescoping housing minimizes installation depth and simplifies installation
- Does not intrude into usable plenum space
- Multiple shielding options include linear prismatic lens, injection molded, high impact acrylic baffle, or descending perforated metal diffuser
- Three reflector options provide customized aesthetics
- UL listed 1598, cUL or CSA. Damp Location standard

ORDERING INFORMATION

ZPT	-	2	-	-	-	-	-	-	
MODEL	NO. OF LAMPS	CEILING TYPE	REFLECTOR	VOLTAGE	SIZE	LAMP TYPE	SHIELDING	BALLAST	OPTIONS
ZPT Zero Plenum® Troffer	2 Two	G Grid Lay-in SM Surface Mount ²	O Open (N/A with PRF) R Ribbed Curve (N/A w/ 1 × 4) S Smooth Curve (N/A w/ 1 × 4)	U 120V-277V 347 347V	14 1' × 4' 22 2' × 2' 24 2' × 4'	14 2', T5: 14 Watt 24 2', T5HO: 24 Watt 28 4', T5: 28 Watt 54 4', T5HO: 54 or 51 Watt	FCB Flush Curved Baffle LSR Linear Prismatic Lens with Surface Relief Diffuser PRF Metal Perf w/Overlay (N/A w/ 1×4) SB Solid Basket	NOTE: See Technical Section for other ballast options. EP Electronic T5, 1.00 Ballast Factor (28W or 54W) EP95 Electronic T5, 0.95 Ballast Factor (28W only) EP115 Electronic T5, 1.15 Ballast Factor (28W only) ED Electronic T5, 1.00 Ballast Factor, Variable Dimming Ballast (28W or 54W) ESD95 Electronic T5, 0.95 Ballast Factor, Step Dimming (28W only) ESD115 Electronic T5, 1.15 Ballast Factor, Step Dimming (28W only)	C38890 3-Wire Flex, 90° Connector ¹ C48890 4-Wire Flex (Step Dimming or -EL Option ¹) GLR Fast Blow Fuse GMF Slow Blow Fuse TB4 (4) Bulk T-Bar Clips ¹ EL5 Emergency Battery Pack (N/A 2 × 2) F5835 35K 85CRI T5 or T5HO Lamps Installed F5841 41K 85CRI T5 or T5HO Lamps Installed NYC NYC Compliant NYCU NYC Compliant, Union Label

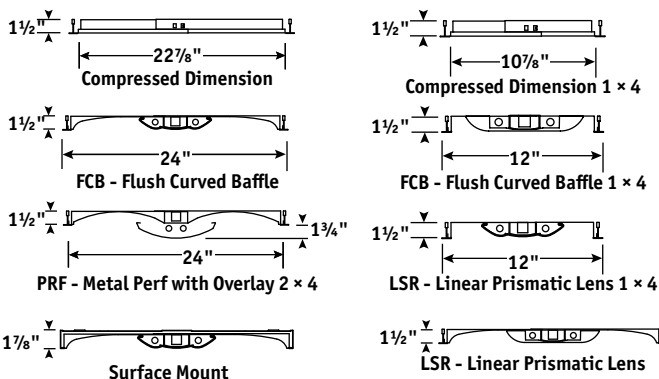
ACCESSORIES (ORDER SEPARATELY)

- FK14 1' × 4' Flange Kit
- FK22 2' × 2' Flange Kit
- FK24 2' × 4' Flange Kit
- FKCR Flange Kit Row Adaptor
- ZPTSMK22 ZPT Surface Mounting Kit (2' × 2')
- ZPTSMK24 ZPT Surface Mounting Kit (2' × 4')

¹Recessed only.

²Zero Plenum may be ordered as a factory-assembled surface mounted unit ordered as grid ("G") ceiling type and surface mounted in the field using the ZPTSMK surface mounting kit.

³Where available.



PRODUCT AVAILABILITY

SIZE	NO. OF LAMPS	LAMP TYPE	COMPRESSED WIDTH	INSTALLED WIDTH	LENGTH	HEIGHT
1' × 4'	2	28, 54	10 7/8"	11 3/4"	47 3/4"	1 1/2"
2' × 2'	2	14, 24	22 7/8"	23 3/4"	23 3/4"	1 1/2"
2' × 4'	2	28, 54	22 7/8"	23 3/4"	47 3/4"	1 1/2"