

BIL

Bi-Level Luminaire

SURFACE

NEW



createchange

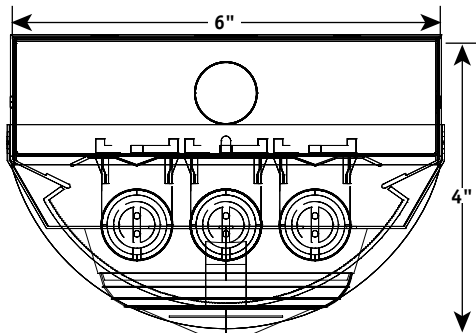
FEATURES

- Energy saving luminaire with integrated occupancy/daylight harvesting controls
- Bi-level light control offers safety and security
- Ideal for stairwells, parking structures, restrooms and areas where maximum light levels are not needed when area is unoccupied
- Contains a single low wattage 2' T8 lamp for constant light output while the 4' T8 lamps are controlled by an integral sensor
- Hubbell Building Automation- Internally mounted Passive Infrared Occupancy/Daylight Harvesting sensor with 360° coverage lens and a 2:1 radius to height ratio coverage pattern
- Sensor includes adjustable time delay and motion/photocell sensitivity
- White aluminum body allows for greater heat dissipation
- Tool-less access to ballast for ease of maintenance
- Can be surface mounted or suspended
- Multiple ballast options available for needed energy savings and light output
- Fail-safe operation switches light level to 100% if sensor is damaged
- UL Listed 1598, cUL or CSA. Damp Location standard

ORDERING INFORMATION

BIL	4	2	32		U	
MODEL BIL Bi-Level Luminaire	NO. OF LAMPS IN CROSS SECTION 2 Two See Product Availability table below.	PRIMARY BALLAST NOTE: See Technical Section for other ballast options. EP Electronic T8, 0.88 Ballast Factor, Programmed Start EPLW Electronic T8, 0.77 Ballast Factor, Low Wattage, Programmed Start EPHL Electronic T8, 1.18 Ballast Factor, High Light Output, Programmed Start			VOLTAGE U 120V-277V	OPTIONS F0730 30K 75CRI T8 Lamps Installed F0735 35K 75CRI T8 Lamps Installed F0830 30K 82CRI T8 Lamps Installed F0835 35K 82CRI T8 Lamps Installed EL Emergency Battery Pack NYC NYC Compliant NYCU NYC Compliant, Union Made
SIZE 4 4'	LAMP TYPE 32 4', T8: 32, 30, 28 or 25 Watt and 2', T8: 17 Watt					

Ballast Type	UNOCCUPIED (1) 17 WATT T8 LAMP		OCCUPIED (1) 17 WATT T8 LAMP & (2) 32 WATT T8 LAMPS	
	Watts	Lumens	Watts	Lumens
EP (0.88 BF)	15	989	74	4669
EPLW (0.77 BF)	15	989	62	4208
EPHL (1.18 BF)	15	989	90	5170



PRODUCT AVAILABILITY

SIZE	NO. OF CONTROLLED LAMPS	CONTROLLED LAMP TYPE	NO. OF CONSTANT LAMPS	CONSTANT LAMP TYPE	WIDTH	LENGTH	HEIGHT
4'	2	32	1	17	6"	54"	4"