

5PA

Specification Grade Air Handling Troffer

LENSED TROFFERS

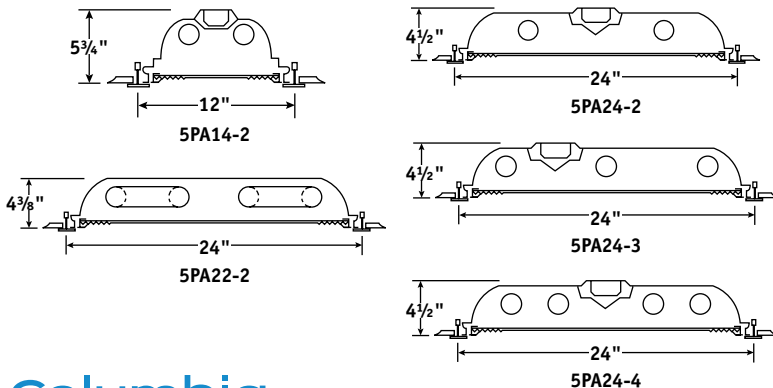


FEATURES

- Contoured housing maximizes uniform photometric performance
- Mitered corners on door presents a clean appearance
- Painted parts are treated with a five stage phosphate bonding process and finished with a baked white enamel; door is painted after fabrication
- Mechanical light trap prevents light leaks
- Unique stepped ballast cover prevents shadowing
- Black reveal with full air handling capabilities
- Doors are retained by spring steel latches and hinge from either side
- UL listed 1598, cUL or CSA. Damp Location standard

ORDERING INFORMATION

5PA									
MODEL	NO. OF LAMPS	CEILING TYPE	DOOR	AIR HANDLING	AIR CONTROL	VOLTAGE			
5PA Specification Grade Air Handling Troffer	1 One 2 Two 3 Three 4 Four 6 Six See Product Availability table below.	G Grid Overlap Flange F Flange M Modular Fit-in Trim SG Slot Grid	FA White Flush Aluminum RA White Regressed Aluminum	S Static A Air Supply/Return Vanes H Heat Extract C Combination Supply/Extract	Blank None V Air Supply/Return Vanes D Heat Extract Dampers VD Supply/Return Vanes & Heat Extract Dampers	U 120V-277V 347 347V			
SIZE	LAMP TYPE	SHIELDING		BALLAST		OPTIONS			
14 1' x 4' 22 2' x 2' 24 2' x 4'	14 2', T5: 14 Watt 17 2', T8: 17 Watt 24 2', T5H0: 24 Watt 28 4', T5: 28 Watt 31U1 U-Bent, 1 $\frac{5}{8}$ " Leg Spacing T8: 31 Watt 32 4', T8: 32, 30, 28 or 25 Watt 32U6 U-Bent, 6" Leg Spacing T8: 32 Watt 40TT Twin Tube Compact, 2G11 Base: 40 Watt 54 4', T5H0: 54 or 51 Watt	A12 Pattern 12 Acrylic Lens A19 Pattern 19 Acrylic Lens, 0.156" Nominal PC1 $\frac{1}{2}$ " x $\frac{1}{2}$ " x $\frac{1}{2}$ " Specular Silver Polystyrene Louver PC2 $1\frac{1}{2}$ " x $1\frac{1}{2}$ " x 1" Specular Silver Polystyrene Louver For more shielding options see page 40.		NOTE: See Technical Section for other ballast options. E Electronic T8, Instant Start 3E 3-Lamp Electronic T8, Instant Start 4E 4-Lamp Electronic T8, Instant Start 24E (1) 2-Lamp and (1) 4-Lamp Electronic T8, Instant Start EP Electronic T5 or T8, Programmed Start 3EP 3-Lamp Electronic T5H0 or T8, Programmed Start 4EP 4-Lamp Electronic T5H0 (N/A 347V) or T8, Programmed Start ETT Electronic Twin Tube, Instant Start EPTT Electronic Twin Tube, Programmed Start		F0735 35K 75CRI T8 Lamps Installed F0835 35K 82CRI T8 Lamps Installed F5835 35K 85CRI T5 Lamps Installed EL Emergency Battery Pack GLR Fast Blow Fuse MS9 Master/Satellite w/9' Harness PAF Paint After Fabrication NYC NYC Compliant NYCU NYC Compliant, Union Label For more options see pages 96-112.			



PRODUCT AVAILABILITY

SIZE	NO. OF LAMPS	LAMP TYPE	GRID TRIM HEIGHT
1' x 4'	1	28, 32, 54	5 $\frac{3}{4}$ "
	2	28, 32, 54	5 $\frac{3}{4}$ "
	3	28, 32, 54	5 $\frac{3}{4}$ "
2' x 2'	2	14, 17, 24, 31U1, 32U6, 40TT	4 $\frac{3}{8}$ "
	3	14, 17, 24, 31U1, 40TT	4 $\frac{3}{8}$ "
	4	14, 17, 24	4 $\frac{3}{8}$ "
2' x 4'	2	28, 32, 54	4 $\frac{1}{2}$ "
	3	28, 32, 54	4 $\frac{1}{2}$ "
	4	28, 32, 54	4 $\frac{1}{2}$ "
	6	28, 32, 54	4 $\frac{1}{2}$ "