

4PS

Specification Grade Static Troffer

LENSED TROFFERS



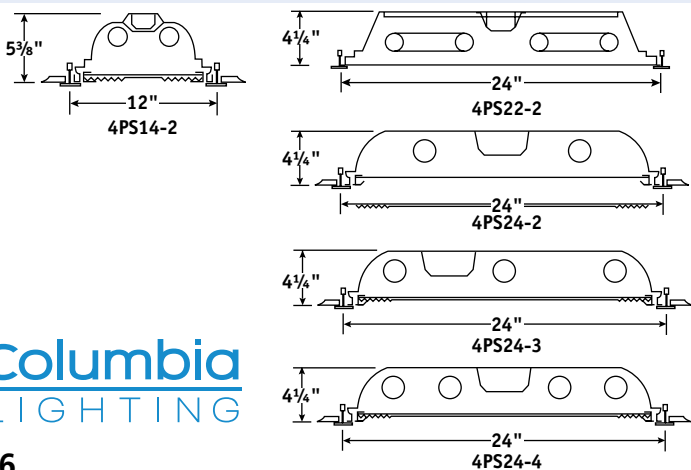
FEATURES

- Excellent lamp-to-lens spacing
- Flush door is formed steel with mitered corners
- Hemmed or rolled edge housing
- Steel corner hinges ensure a snug door fit eliminating light leaks
- Doors are retained by cam latches and hinge from either side
- Spring loaded latches optional
- Row mounting available. Must specify at time of order
- Painted parts are treated with a five stage phosphate bonding process and finished with a baked white enamel
- UL listed 1598, cUL or CSA. Damp Location standard
- Available with exclusive wiHUBB technology preinstalled
 - Peer to peer, self-healing wireless mesh network
 - Integrated control system for 0-10VDC or step dimming, or On/Off

ORDERING INFORMATION

4PS							
MODEL	NO. OF LAMPS	CEILING TYPE	SHIELDING	VOLTAGE	OPTIONS		
4PS Specification Grade Static Troffer	1 One 2 Two 3 Three (2x4 only) 4 Four (2x4 only) 6 Six (2x4 only) See Product Availability table below.	G Inverted T-Bar F Overlap Flange M Modular FS White Flush Steel FA White Flush Aluminum RA White Regressed Aluminum SFA Silver Flush Aluminum SRA Silver Regressed Aluminum	A12 Pattern 12 Acrylic Lens A12125 Pattern 12 Acrylic Lens, 0.125" Nominal A15 Pattern 15 Acrylic Lens A19 Pattern 19 Acrylic Lens, 0.156" Nominal PC1 ½" x ½" x ½" Specular Silver Polystyrene Louver PC2 1½" x 1½" x 1" Specular Silver Polystyrene Louver For more shielding options see page 40.	U 120V-277V 347 347V	F0735 35K 75CRI T8 Lamps Installed F0741 41K 75 CRI T8 Lamps Installed F0835 35K 82CRI T8 Lamps Installed F0841 41K 82CRI T8 Lamps Installed F5835 35K 85CRI T5 Lamps Installed EL Emergency Battery Pack C388 3-Wire Flex C488 4-Wire Flex H Heat Extract (No Dampers) GLR Fast Blow Fuse MS9 Master/Satellite Pair w/9' Harness SLL Spring Loaded Latches NYC NYC Compliant NYCU NYC Compliant, Union Label WIH wiHUBB Enabled!		
SIZE	LAMP TYPE	BALLAST					
14 1' x 4' 22 2' x 2' 24 2' x 4'	14 2', T5: 14 Watt 17 2', T8: 17 Watt (2, 3, or 4 lamps) 24 2', T5HO: 24 Watt 28 4', T5: 28 Watt 31U1 U-Bent, 1½" Leg Spacing T8: 31 Watt (2 or 3 lamps) 32 4', T8: 32, 30, 28 or 25 Watt 32U6 U-Bent, 6" Leg Spacing T8: 32 Watt (2 lamps) 40TT Twin Tube Compact, 2G11 Base: 40 Watt (2 or 3 lamps) 54 4', T5HO: 54 or 51 Watt	NOTE: See Technical Section for other ballast options. E Electronic T8, Instant Start 3E 3-Lamp Electronic T8, Instant Start 4E 4-Lamp Electronic T8, Instant Start EP Electronic T5 or T8, Programmed Start 3EP 3-Lamp Electronic T5HO or T8, Programmed Start 4EP 4-Lamp Electronic T5HO (N/A 347V) or T8, Programmed Start ETT Electronic Twin Tube, Instant Start ELW 2-Lamp Electronic T8, 0.77 Ballast Factor, Low Wattage, Instant Start 3ELW 3-Lamp Electronic T8, 0.77 Ballast Factor, Low Wattage, Instant Start 4ELW 4-Lamp Electronic T8, 0.77 Ballast Factor, Low Wattage, Instant Start EPTT Electronic Twin Tube, Programmed Start					

¹ Not available with Surface Mount Ceiling Types



PRODUCT AVAILABILITY

SIZE	NO. OF LAMPS	LAMP TYPE	GRID TRIM HEIGHT*	FLANGE TRIM HEIGHT*
1' x 4'	1	28, 32, 54	5⅞"	5⅞"
	2	28, 32, 54	5⅞"	5⅞"
	3	28, 32, 54	5⅞"	5⅞"
2' x 2'	2	14, 17, 24, 31U1, 32U6, 40TT	4¼"	*
	3	14, 17, 24, 31U1, 40TT	4¼"	*
	4	14, 17, 24	4¼"	*
		14, 17, 24	4¼"	*
2' x 4'	2	28, 32, 54	4¼"	4½"
	3	28, 32, 54	4¼"	4½"
	4	28, 32, 54	4¼"	4½"
		28, 32, 54	4¼"	4½"
	6	28, 32, 54	4¼"	4½"
		28, 32, 54	4¼"	4½"

*Some ceiling types and options may increase height of 2' x 2' units. Typically 4¼" high, some options may increase this to 6⅞". Please contact your Columbia Lighting representative for details.